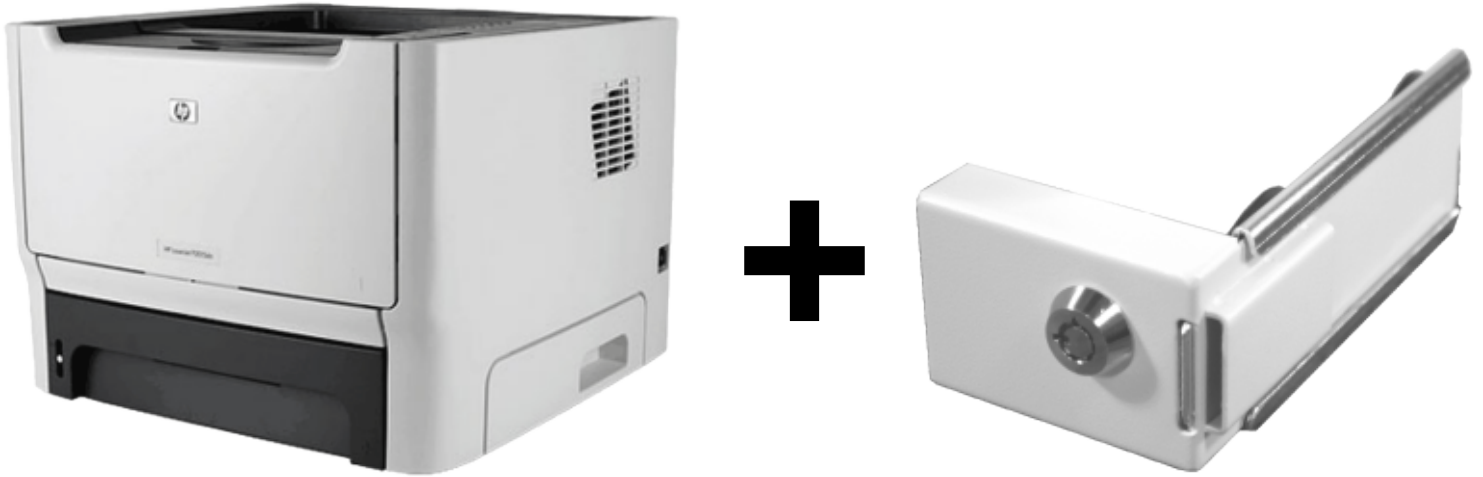


If you can't afford to lose it...lock it down!



Protection for your printer paper

- Key Lock for Security
- Easy to Use
- Compatible with most printers
- Easy to Install

**Printer Paper
Tray Locks
secure your**



1



Apply glue & position Paper Tray Lock onto the printer.

2



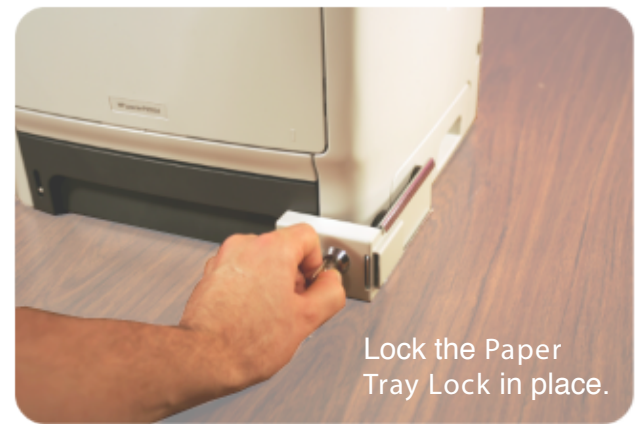
Pull off the Cover Plate and wait for glue to dry.

3



Access the paper tray.

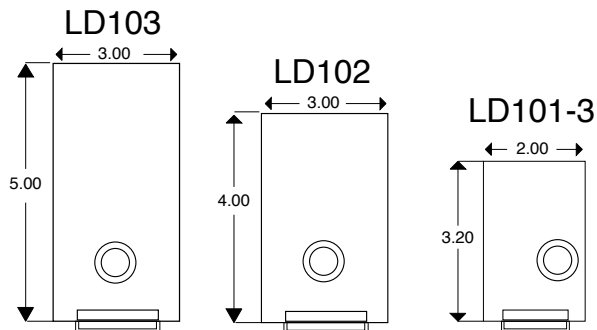
4



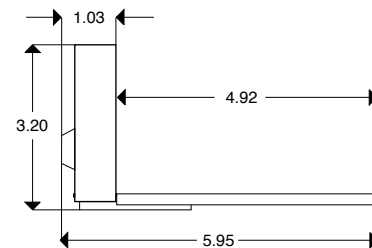
Lock the Paper Tray Lock in place.

Our Paper Tray Lock mounts in minutes to the side or bottom of your printer with no tools required. Apply our super strength glue on the side or bottom of your printer, slide in the cover plate and engage the lock. Done! It's that easy!

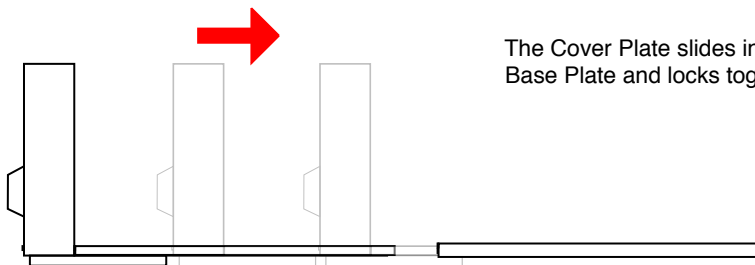
Front



Side



Units = Inches



The Cover Plate slides into the Base Plate and locks together.

